



# Ceiling Suspended FDE

## Model No.

- FDE36KXZE1
- FDE45KXZE1
- FDE56KXZE1
- FDE71KXZE1
- FDE112KXZE1
- FDE140KXZE1



## Remote control (option)

Wired

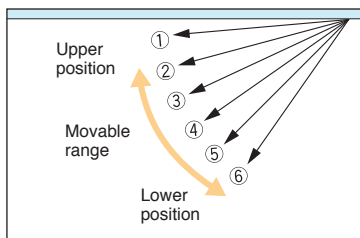


Wireless



### Flap control system

Selection of flap position is possible. A flap can be set at different angles.



\*The wireless remote control is not applicable to the flap control system.

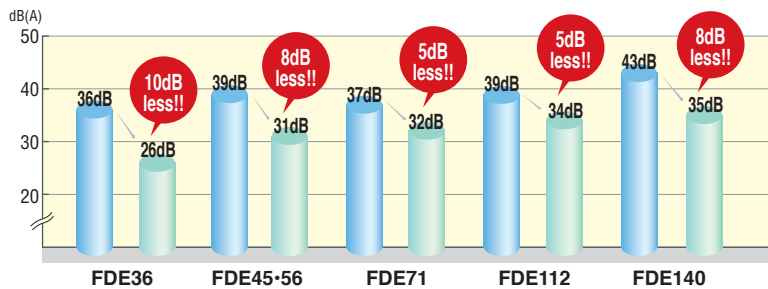
### Reduction of weight

Thanks to decreasing the numbers of fan motor from two to one, reduction of weight was achieved.

	Previous		Current	
FDE71	37	➔	33	4kg less!!
FDE112	49	➔	43	6kg less!!
FDE140	49	➔	43	6kg less!!

### Reduction of sound pressure level (Lo mode)

The industry's lowest sound pressure levels were achieved by decreasing air flow volume, decreasing pressure loss with employment of one fan motor and optimizing casing and distributor shape. (comparison of previous model)

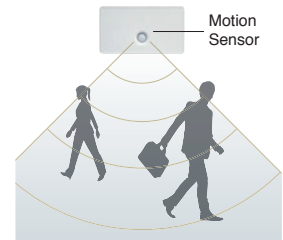


### Motion Sensor

**NEW**

(Option)

Motion sensor is equipped in the panel and detects the presence/absence and activity of humans in a room to improve the comfort and energy saving performance of the unit.



## Specifications

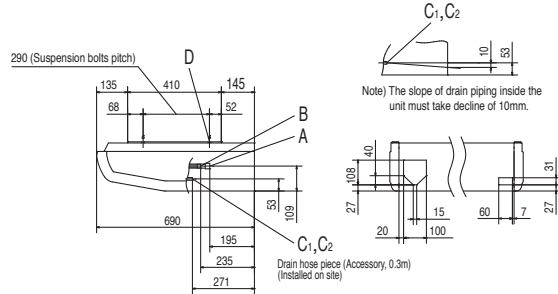
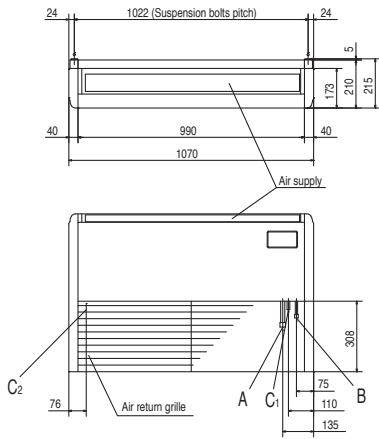
Item	Model	FDE36KXZE1	FDE45KXZE1	FDE56KXZE1	FDE71KXZE1	FDE112KXZE1	FDE140KXZE1
Nominal cooling capacity	kW	3.6	4.5	5.6	7.1	11.2	14.0
Nominal heating capacity	kW	4.0	5.0	6.3	8.0	12.5	16.0
Power source		1 Phase 220-240V, 50Hz					
Power consumption	Cooling	0.05-0.05			0.07-0.07	0.10-0.10	0.13-0.13
	Heating	0.05-0.05			0.07-0.07	0.10-0.10	0.13-0.13
Sound power level	dB(A)	60					
Sound pressure level	dB(A)	P-Hi:46 Hi:38 Me:31 Lo:26	P-Hi:46 Hi:38 Me:36 Lo:31	P-Hi:46 Hi:38 Me:36 Lo:31	P-Hi:47 Hi:39 Me:37 Lo:32	P-Hi:45 Hi:42 Me:38 Lo:34	P-Hi:48 Hi:43 Me:40 Lo:35
Exterior dimensions H x W x D	mm	210 x 1070 x 690			210 x 1320 x 690	250 x 1620 x 690	
Net weight	kg	28			33	43	
Air flow	m <sup>3</sup> /min	P-Hi:13 Hi:10 Me:7 Lo:5.5	P-Hi:13 Hi:10 Me:9 Lo:7		P-Hi:20 Hi:15 Me:13 Lo:10	P-Hi:28 Hi:25 Me:21 Lo:16.5	P-Hi:32 Hi:26 Me:23 Lo:17
Outside air intake		Not possible					
Air filter, Q'ty		Pocket Plastic net x2 (Washable)					
Remote control(option)		wired:RC-EX3A, RC-E5, RCH-E3 wireless:RCN-E-E3					
Installation data Refrigerant piping size	mm(in)	Liquid line:ø6.35(1/4") Gas line:ø12.7(1/2")			Liquid line:ø9.52(3/8") Gas line:ø15.88(5/8")		

1. The data are measured under the following conditions (ISO-T1). Cooling: Indoor temp. of 27°CDB, 19°CWB, and outdoor temp. of 35°CDB. Heating: Indoor temp. of 20°CDB, and outdoor temp. of 7°CDB, 6°CWB.  
2. Sound pressure level indicates the value in an anechoic chamber. During operation these values are somewhat higher due to ambient conditions.

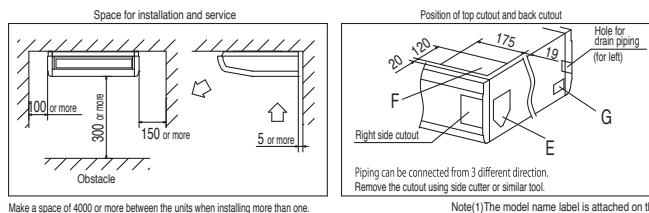
# Dimensions

All measurements in mm.

## FDE36KXZE1, 45KXZE1, 56KXZE1



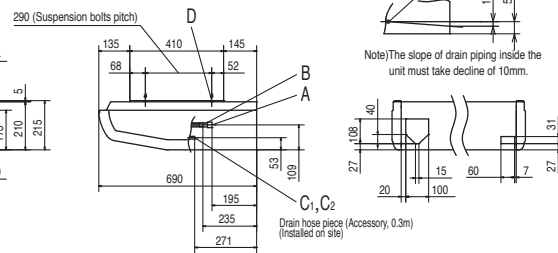
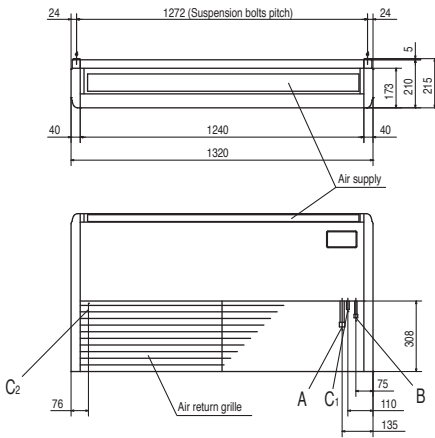
Symbol	Content
A	Gas piping ø12.7 (1/2") (Flare)
B	Liquid piping ø6.35 (1/4") (Flare)
C 1,2	Drain piping VP20 (I.D.20)
D	Hole for suspension bolt (M10 or M8)
E	Back cutout PE cover
F	Top cutout Plate cover
G	Hole for drain piping (for left back) (Knock out)



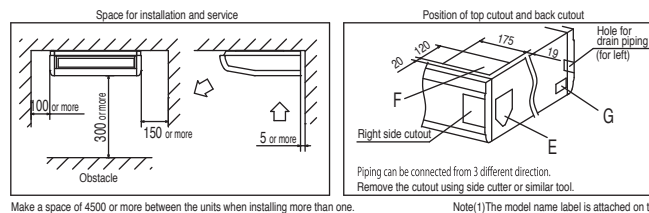
Make a space of 4000 or more between the units when installing more than one.

Note(1) The model name label is attached on the fan casing inside the air return grille.

## FDE71KXZE1



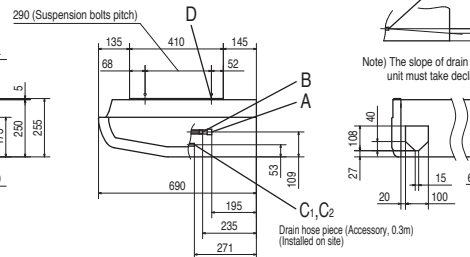
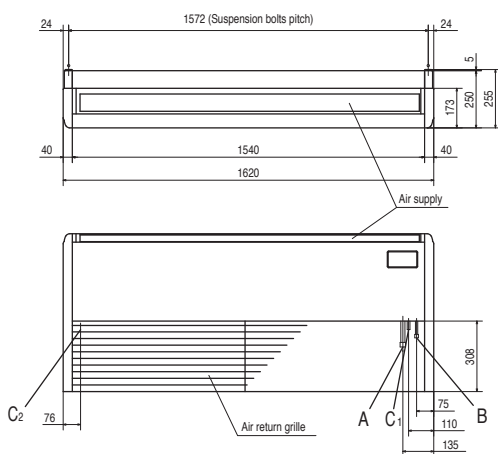
Symbol	Content
A	Gas piping ø15.88 (5/8") (Flare)
B	Liquid piping ø9.52 (3/8") (Flare)
C 1,2	Drain piping VP20 (I.D.20)
D	Hole for suspension bolt (M10 or M8)
E	Back cutout PE cover
F	Top cutout Plate cover
G	Hole for drain piping(for left back) (Knock out)



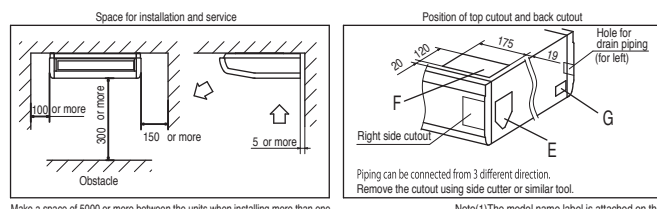
Make a space of 4500 or more between the units when installing more than one.

Note(1) The model name label is attached on the fan casing inside the air return grille.

## FDE112KXZE1, 140KXZE1



Symbol	Content
A	Gas piping ø15.88 (5/8") (Flare)
B	Liquid piping ø9.52 (3/8") (Flare)
C 1,2	Drain piping VP20 (I.D.20)
D	Hole for suspension bolt (M10 or M8)
E	Back cutout PE cover
F	Top cutout Plate cover
G	Hole for drain piping (for left back) (Knock out)



Make a space of 5000 or more between the units when installing more than one.

Note(1) The model name label is attached on the fan casing inside the air return grille.